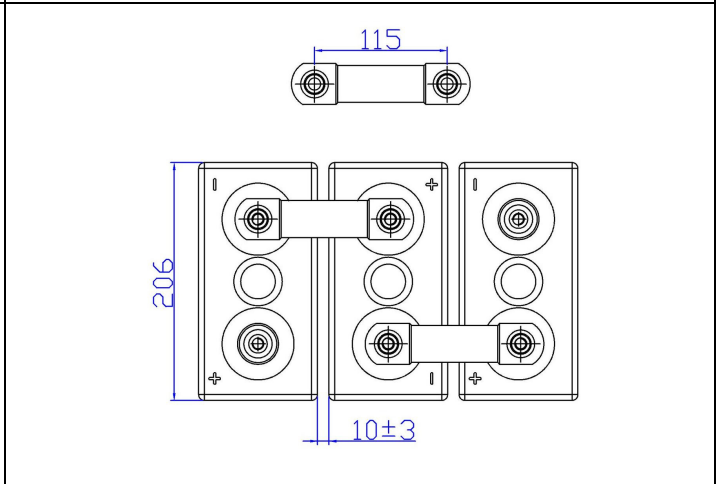
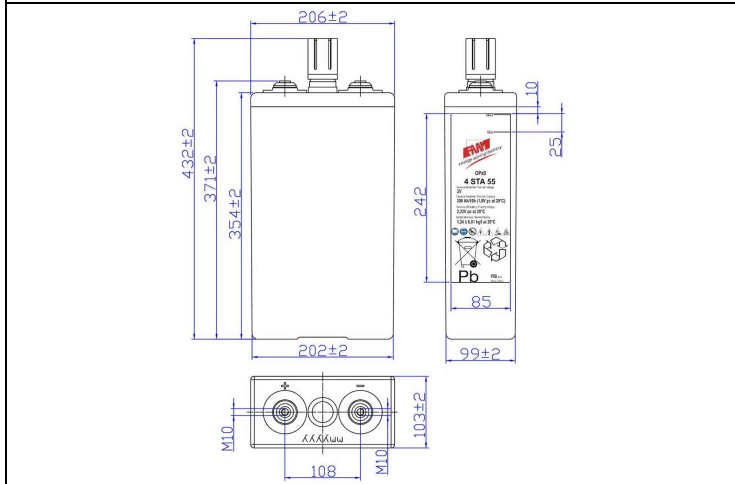




4STA55 – 4OPzS200

DIMENSIONAL FEATURES

Nominal Voltage		2V		Stationary Cell flooded (OPzS) Box material: SAN transparent Lid material: ABS grey color Positive tubular and Negative flat plates Separators with low electric resistance Copper Connection (Cu) section: 3x30mm Standards: CEI EN 60896 Part 11 EN 50272-2
Nominal Capacity (10 hours)		200Ah (1,80Vfin) at 20°C		
Dimensions	Lenght	103 ±2mm		
	Width	206 ±2mm		
	Box Height	354 ±2mm		
	Total Height	432 ±2mm		
Technical Drawing n°4 00395-0		Weight 18,1 Kg ± 5%		
Screw Terminals: M10 female		Material: brass with protective treatment		



ELECTRIC FEATURES

Characteristics			Charging curves @ 20°C (77 °F)	
Capacity	10 hours (1,80Vfin)	200,0 Ah		
	8 hours (1,75Vfin)	196,3 Ah		
	3 hours (1,70Vfin)	164,3 Ah		
	1 hour (1,65Vfin)	113,1 Ah		
Temperature influence on the capacity (10h)	40°C	102%		
	20°C	100%		
	0° C	85%		
Internal Resistance Ri: 0,73 mΩ ±10%		SCC I _{sc} : 2750 A ±10%		
Charging Voltage	Standby use	Max charging current 40A Floating Voltage 2,23V at 20°C Boosting Voltage 2,40V at 20°C Temperature Coefficient -20 mV/°C		

Discharge Table at constant Current (Amp) and constant Power (Watt/cell) at 20°C

Time		30min	60min	90min	2hours	3hours	5hours	8hours	10hours	100hours	120hours
1.65V	A	173,42	113,14	88,09	73,81	56,85	37,63	25,20	21,00	2,72	2,31
	W	320,30	212,06	162,52	137,28	103,02	71,78	51,27	41,58	5,40	4,58
1.70V	A	164,08	109,75	86,35	72,36	54,78	37,28	24,96	20,80	2,74	2,33
	W	305,40	204,93	156,82	132,62	100,12	71,44	51,03	41,33	5,37	4,56
1.80V	A	133,40	96,70	79,00	66,20	51,68	35,50	24,00	20,00	2,64	2,24
	W	248,29	178,20	142,56	122,57	93,65	67,72	48,23	39,60	5,22	4,43