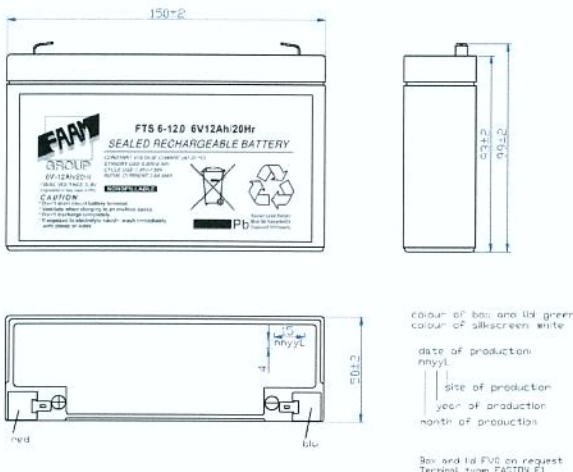
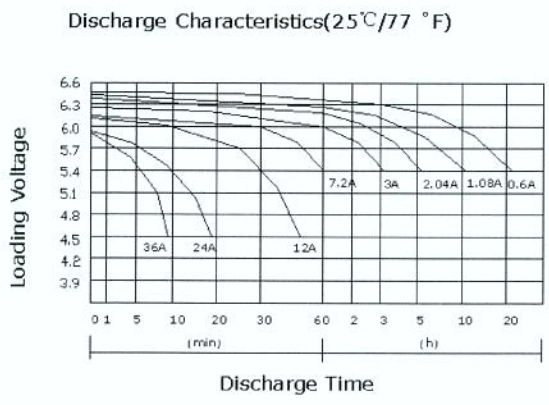
	<h1>FTS 6-12</h1>
--	-------------------

PHYSICAL SPECIFICATION

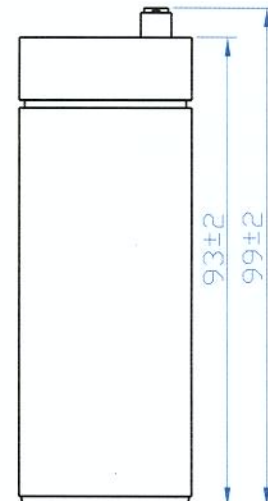
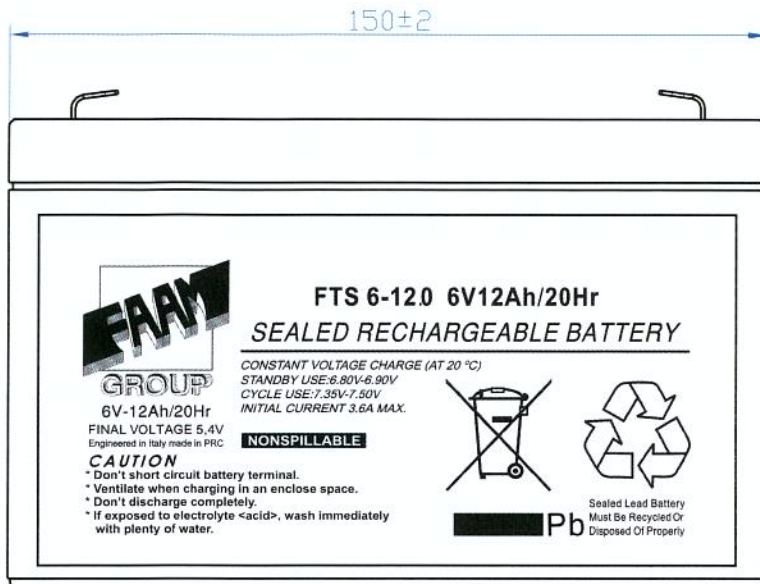
Nominal Voltage		6V
Nominal Capacity (20Hr)		12Ah
Dimension	Length	150 ±2mm
	Width	50 ±2mm
	Container Height	93 ±2mm
	Total Height	99 ±2mm
Drawing 400270-0		Weight 1,85 Kg ± 5%
Standard Terminal		Bolt Type: F1
		

ELECTRICAL SPECIFICATION

Characteristics			Discharge curves @ 25°C (77 °F)
Capacity	20 hour rate	12,00Ah	
	10 hour rate	10,60Ah	
	5 hour rate	9,35Ah	
	3 hour rate	6,87Ah	
	1 hour rate	8,15Ah	
Capacity affected by temperature	40°C	102%	
	20°C	100%	
	0°C	85%	
Internal Resistance 11 mΩ±10%			
Constant Voltage Charge	Cycle	Initial Charging Current less than 3,6A Voltage 7,35~7,50V at 20°C Temperature Coefficient -30 mV/°C	
	Standby	No limit on Initial Charging Current Voltage 6,80~6,90 at 20°C Temperature Coefficient -20 mV/°C	

Constant Current(Amp) and Constant Power (Watt/Cell) Discharge Table at 25°C

Time		5min	15min	30min	60min	90min	120min	180min	300min	480min	600min
4,95V	A	40,85	21,30	12,96	7,69	4,13	3,03	2,37	2,00	1,32	1,12
	W	67,40	35,14	21,38	12,69	6,81	5,00	3,91	3,30	2,18	1,85
5,10V	A	38,74	20,04	12,07	7,31	3,99	2,89	2,29	1,95	1,29	1,10
	W	63,91	33,06	19,91	12,06	6,58	4,78	3,77	3,22	2,13	1,81
5,40V	A	34,35	17,19	10,71	6,55	3,73	2,76	2,20	1,87	1,24	1,06
	W	56,68	28,35	17,68	10,81	6,14	4,56	3,63	3,09	2,05	1,75



colour of box and lid: green
colour of silkscreen: white

date of production: mmyyL
| | site of production
| | year of production
| | month of production

Box and lid FV0 on request
Terminal type: FASTON F1

REV.	DATA/DATE	PROGETTISTA/DESIGNER	DISEGNATO/DRAWN	APPROVATO/APPROVED	DESCRIZIONE MODIFICHE/DESCRIPTION REVISIONS
INDICAZIONI GENERALI/GENERAL INDICATION			MATERIALE/MATERIAL:	R (d/mm2):	DUREZZA/HARDNESS:
GRADO DI PRECISIONE			ABS Pb/Ca		PROGETTISTA/DESIGNER:
NORMA UNI 5307			PROGETTO GENERALE-COMPLESSIVO/GENERAL PLAN-TOTAL PLAN		DISEGNATO/DRAWN:
SOSTITUISCE IL/SUPERSEDES:			BATTERIE STAZIONARIE/STATIONARY BATTERY		S. BALDASSARRI
SOSTITUITO DAL/SUPERSEDS BY:			NOME FILE/NAME FILE:		APPROVATO/APPROVED:
			4 00270.dwg		F. PAGLIARINI
SCALA/SCALE:		FOGLIO/SHEET:	CODICE/CODE:	TIPO/TYP:	VERSIONE/VERSION:
1:1.5		A4	FTS 6-12.0	Series VRLA AGM	CARICA/CHARGE
DENOMINAZIONE /PART DESCRIPTION:					DATA/DATE:
BATTERIA STAZIONARIA COD. FTS 6-12.0 6V 12.0Ah/20h /					02.02.2010
STATIONARY BATTERY CODE FTS 6-12.0 6V 12.0Ah/20h					DISEGNO N°-REV./DRAWING N°-REV.:
					4 00270-0
					TAV.:
					1



FAAM S.p.A. Via Monti,11 63026 Monterubbiano (AP) ITALY
Tel. ++39/07342581 Fax. ++39/0734258229 www.faam.com

Questo disegno è di proprietà della FAAM e non può essere riprodotto o reso noto senza autorizzazione scritta.
This drawing is a proprietary and shall not be reproduced or released to otherwise authorized by FAAM.



GROUP

6V-12Ah/20Hr

FINAL VOLTAGE 5,4V
Engineered in Italy made in PRC

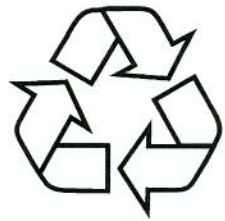
CAUTION

- * Don't short circuit battery terminal.
- * Ventilate when charging in an enclosed space.
- * Don't discharge completely.
- * If exposed to electrolyte <acid>, wash immediately with plenty of water.

FTS 6-12.0 6V12Ah/20Hr
SEALED RECHARGEABLE BATTERY

CONSTANT VOLTAGE CHARGE (AT 20 °C)
STANDBY USE: 6.80V-6.90V
CYCLE USE: 7.35V-7.50V
INITIAL CURRENT 3.6A MAX.

NONSPILLABLE



Pb

Sealed Lead Battery
Must Be Recycled Or
Disposed Of Properly