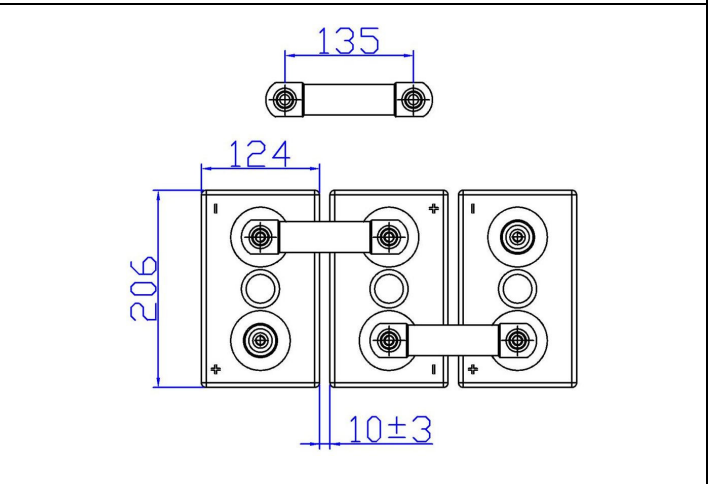
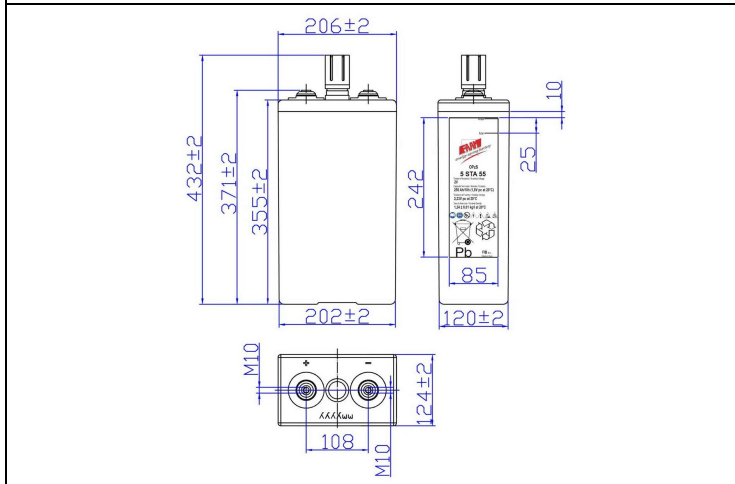




5STA55 – 5OPzS250

DIMENSIONAL FEATURES

Nominal Voltage		2V	Stazionary Cell flooded (OPzS) Box material: SAN trasparent Lid material: ABS grey color Positive tubular and Negative flat plates Separators with low electric resistance Copper Connection (Cu) section: 3x30mm Standards: CEI EN 60896 Part 11 EN 50272-2
Nominal Capacity (10 hours)		250Ah (1,80Vfin) a 20°C	
Dimensions	Lenght	124 ±2mm	
	Width	206 ±2mm	
	Box Height	355 ±2mm	
	Total Height	432 ±2mm	
Technical Drawing n°4 00396-0		Weight 22,0 Kg ± 5%	
Screw Terminals: M10 female Material: brass with protective treatment			



ELECTRIC FEATURES

Characteristics			Charging curves @ 20°C (77 °F)
Capacity	10 hours (1,80Vfin) 250,0 Ah 8 hours (1,75Vfin) 245,6 Ah 3 hours (1,70Vfin) 205,4 Ah 1 hour (1,65Vfin) 141,4 Ah		
Temperature influence on the capacity (10h)	40°C 102% 20°C 100% 0°C 85%		
Internal Resistance Ri: 0,62 mΩ ±10%		SCC I _{sc} : 3350 A ±10%	
Charging Voltage	Standby use	Max charging current 50A Floating Voltage 2,23V at 20°C Boosting Voltage 2,40V at 20°C Temperature Coefficient -20 mV/°C	

Discharge Table at constant Current (Amp) and constant Power (Watt/cell) at 20°C

Time		30min	60min	90min	2hours	3hours	5hours	8hours	10hours	100hours	120hours
1.65V	A	216,78	141,42	110,11	92,27	71,06	47,04	31,50	26,25	3,40	2,88
	W	400,37	265,07	203,15	171,60	128,77	89,72	64,09	51,98	6,74	5,72
1.70V	A	205,10	137,19	107,93	90,45	68,48	46,59	31,20	26,00	3,43	2,91
	W	381,75	256,16	196,02	165,78	125,15	89,30	63,79	51,66	6,72	5,70
1.80V	A	166,75	120,88	98,75	82,75	64,60	44,38	30,00	25,00	3,30	2,80
	W	310,37	222,75	178,20	153,21	117,07	84,65	60,29	49,50	6,53	5,54