



FLG 6-100

PHYSICAL SPECIFICATION

Nominal Voltage		6V
Nominal Capacity (10Hr)		100Ah
Dimension	Length	195 ±2mm
	Width	170 ±2mm
	Container Height	205 ±2mm
	Height	210 ±2mm
	Total Height	210 ±2mm
Drawing 400216-0		Weight 16,8 Kg ± 5%
Standard Terminal		Bolt Type: M8

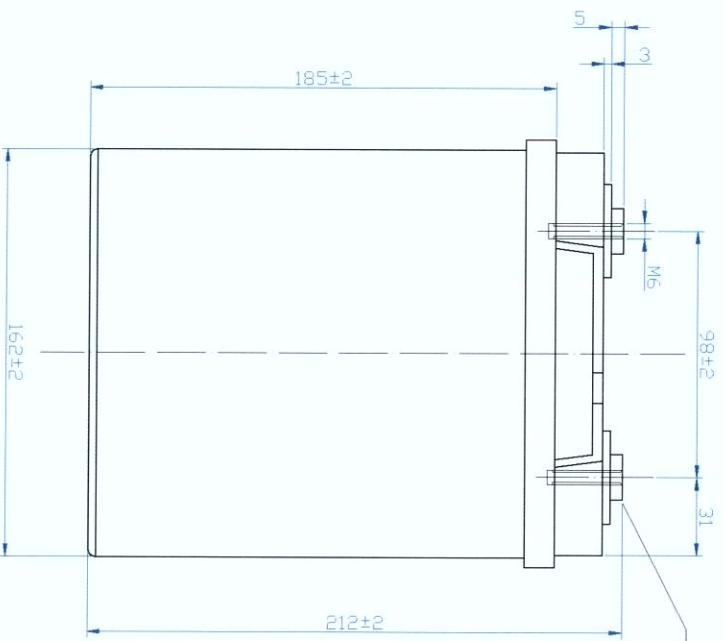
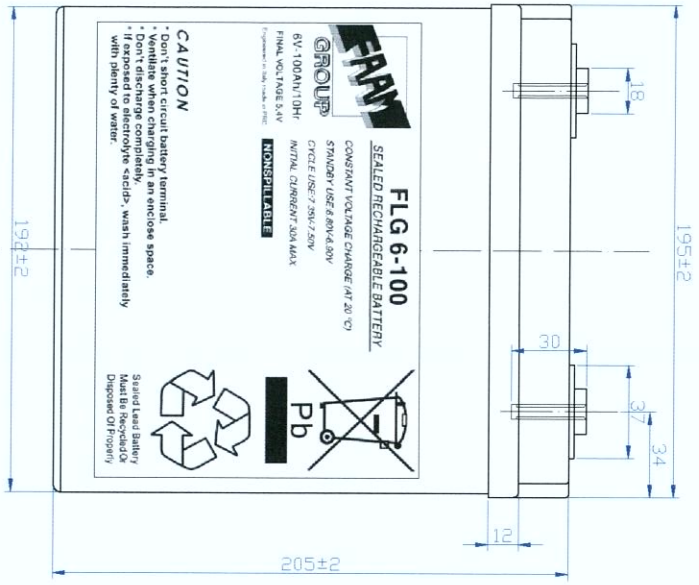
	<p>Bolt-and-nut terminal Bolt Type:M8</p> <p>(in mm)</p>
--	--

ELECTRICAL SPECIFICATION

Characteristics			Discharge curves @ 25°C (77 °F)
Capacity	10 hour rate	100,00Ah	
	8 hour rate	96,16Ah	
	5 hour rate	86,45Ah	
	3 hour rate	76,98Ah	
	1 hour rate	52,49Ah	
Capacity affected by temperature	40°C	102%	
	20°C	100%	
	0°C	85%	
Internal Resistance 3,9 mΩ ±10%		SCC 2500 A ±10%	
Constant Voltage Charge	Cycle	Initial Charging Current less than 25 A Voltage 7,2~7,5V at 20°C Temperature Coefficient -30 mV/°C	
	Stand by	No limit on Initial Charging Current Voltage 6,7~6,9V at 20°C Temperature Coefficient -20 mV/°C	

Constant Current(Amp) and Constant Power (Watt/Cell) Discharge Table at 25°C

Time		5min	15min	30min	60min	90min	120min	180min	300min	480min	600min
9.9V	A	151,32	107,32	75,11	63,55	50,35	42,56	25,72	17,64	12,16	10,50
	W	369,57	277,83	183,09	117,71	95,36	71,84	47,32	32,49	24,30	20,34
10.2V	A	137,51	106,21	72,87	52,18	41,35	34,95	25,66	17,57	12,11	10,35
	W	359,44	268,95	177,40	114,06	92,39	69,61	47,04	32,30	24,15	20,30
10.8V	A	110,45	92,52	69,23	50,96	40,38	34,13	25,38	17,29	11,92	10,00
	W	337,50	253,73	167,36	107,60	87,16	65,67	46,12	31,67	23,68	19,90

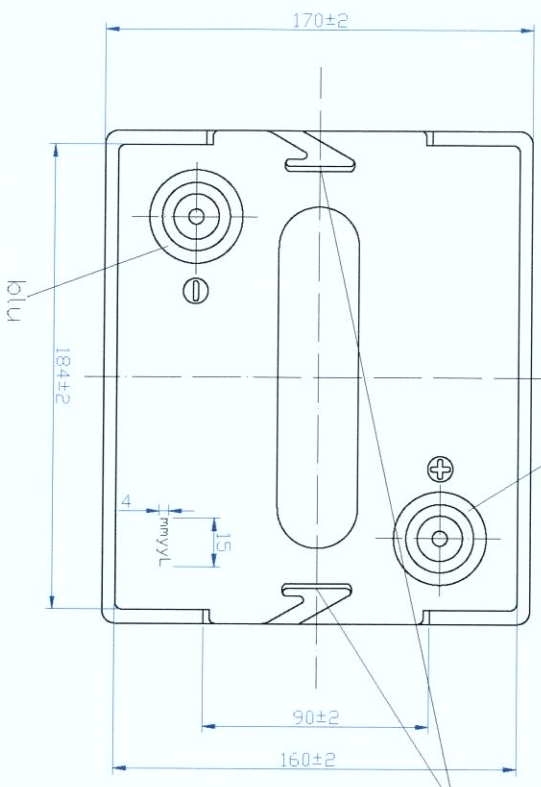


inserto filettato M6
threaded insert M6

date of production:
mmyyl
site of production
year of production
month of production

colour of box and lid: dark grey
colour of silkscreen: white

attacchi per maniglie di sollevamento/
fits for lifting handles



REV.	REV./DATE	PROGETTISTA/DESIGNER	DESCRIZIONE/DESCRIPTION	APPROVATO/APPROVED	DESCRIZIONE MODIFICAZIONE/DESCRIPTION REVISION
			INDICAZIONI GENERALI/GENERAL NOTATION	MODIFICAZIONE/REVISION	DIREZIONE/INDICAZIONI
			GRADO DI PRECISIONE/DEGREE OF ACCURACY	ABS FVO Pb/Ca	R. PARENTI
			NORMA UNI 6507/STANDARD UNI 6507	BATTERIE STAZIONARIE/STATIONARY BATTERY	S. BALDASSARRI
			SETTITORE S.P./SPONSOR	4 00216.dWR	R. PAGLIARINI
			SCALASCALE	1:2	29.03.2007
			INDICAZIONI/NOTE DESCRIPTION	BATTERIA STAZIONARIA COD. FIG 6-100 6V 100Ah/10h gel/STATIONARY BATTERY CODE FIG 6-100 6V 100Ah/10h gel	4 00216-0
			PROLUNGAZIONE	A3	1

FAAM
BATTERIE VEICOLI ELETTRICI

Questo disegno è di proprietà della FAAM e non può essere riprodotto o reso noto senza autorizzazione scritta. This drawing is a proprietary and shall not be reproduced or released to otherwise authorized by FAAM.

FAAM S.p.A. Via Montilli 63026 Monterubbiano (AP) ITALY
Tel. ++39/07342581 Fax ++39/0734250229 www.faam.com



6V-100Ah/10Hr
FINAL VOLTAGE 5,4V

Engineered in Italy made in PRC

FLG 6-100

SEALED RECHARGEABLE BATTERY

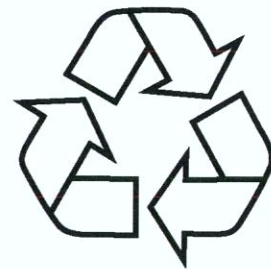
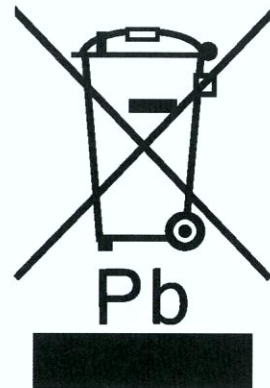
CONSTANT VOLTAGE CHARGE (AT 20 °C)

STANDBY USE:6.80V-6.90V

CYCLE USE:7.35V-7.50V

INITIAL CURRENT 30A MAX.

NONSPILLABLE



Sealed Lead Battery
Must Be Recycled Or
Disposed Of Properly

CAUTION

- * Don't short circuit battery terminal.
- * Ventilate when charging in an enclosed space.
- * Don't discharge completely.
- * If exposed to electrolyte <acid>, wash immediately with plenty of water.