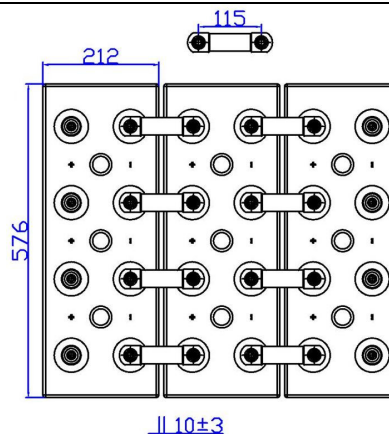
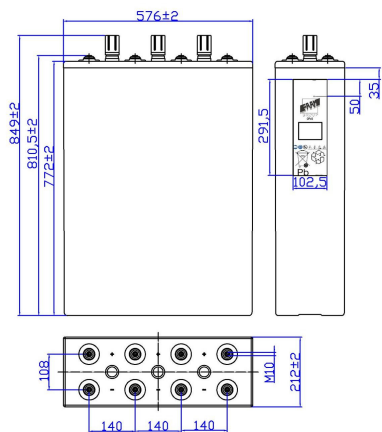




22STA125 – 22OPzS2750

DIMENSIONAL FEATURES

Nominal Voltage		2V		Stationary Cell flooded (OPzS) Box material: SAN transparent Lid material: ABS grey color Positive tubular and Negative flat plates Separators with low electric resistance Copper Connection (Cu) section: 3x30mm Standards: CEI EN 60896 Part 11 EN 50272-2
Nominal Capacity (10 hours)		2750Ah (1,80Vfin) at 20°C		
Dimensions	Lenght	212 ±2mm		
	Width	576 ±2mm		
	Box Height	772 ±2mm		
	Total Height	849 ±2mm		
Technical Drawing n°4 00408-0		Weight 214,4 Kg ± 5%		
Screw Terminals: M10 female		Material: brass with protective treatment		

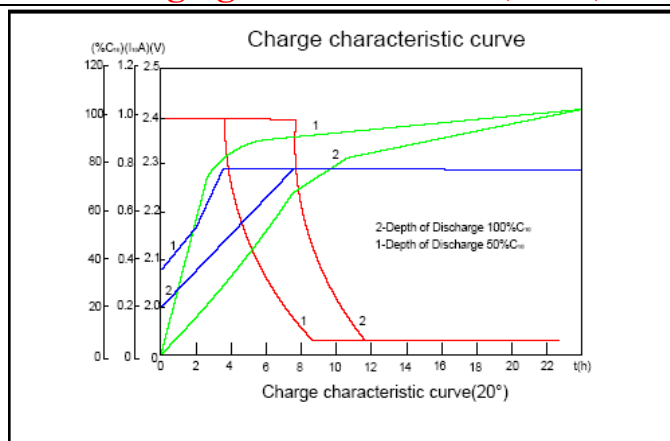


ELECTRIC FEATURES

Characteristics

Capacity	10 hours (1,80Vfin)	2750,0 Ah
	8 hours (1,75Vfin)	2664,4 Ah
	3 hours (1,70Vfin)	2150,8 Ah
	1 hour (1,65Vfin)	1383,8 Ah
Temperature influence on the capacity (10h)	40°C	102%
	20°C	100%
	0°C	85%
Internal Resistance Ri: 0,12 mΩ ±10%		SCC I _{sc} : 17050 A ±10%
Charging Voltage	Standby use	Max charging current 550A Floating Voltage 2,23V at 20°C Boosting Voltage 2,40V at 20°C Temperature Coefficient -20 mV/°C

Charging curves @ 20°C (77 °F)



Discharge Table at constant Current (Amp) and constant Power (Watt/cell) at 20°C

Time	30min	60min	90min	2 hours	3 hours	5 hours	8 hours	10 hours	100 hours	120hours	
1.65V	A	1730,58	1383,8	1169,69	991,10	750,20	534,15	362,26	297,00	37,36	31,70
	W	4003,71	2650,73	2031,48	1716,00	1287,74	897,24	640,89	519,75	67,45	57,22
1.70V	A	1536,30	1243,55	1077,12	927,52	716,93	514,82	354,45	294,25	37,72	32,00
	W	3817,49	2561,63	1960,20	1657,78	1251,45	893,00	637,88	516,58	67,19	57,00
1.80V	A	1116,50	935,00	841,50	748,00	605,00	449,63	325,19	275,00	36,27	30,77
	W	3103,65	227,50	1782,00	1532,14	1170,68	846,45	602,91	495,00	65,29	55,39