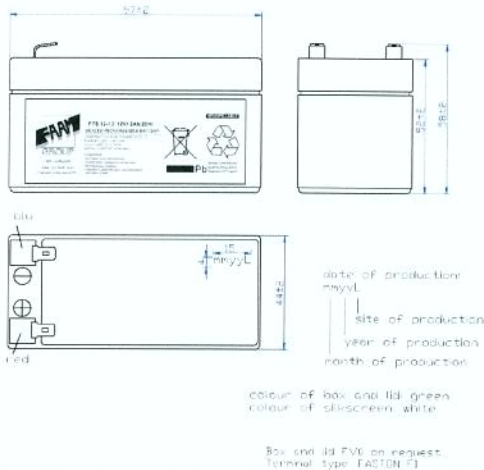




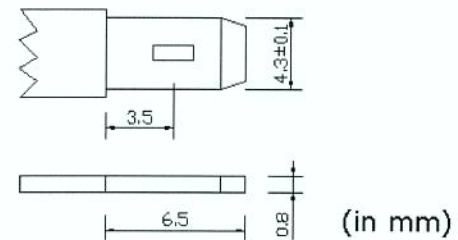
## FTS 12-1.2

### PHYSICAL SPECIFICATION

Nominal Voltage		12V
Nominal Capacity (20Hr)		1,2Ah
Dimension	Length	97 ±2mm
	Width	44 ±2mm
	Container Height	52 ±2mm
	Total Height	58 ±2mm
Drawing 400271-0		Weight 0,58 Kg ± 5%
Standard Terminal		Bolt Type: F1



### F1 Standard Terminal

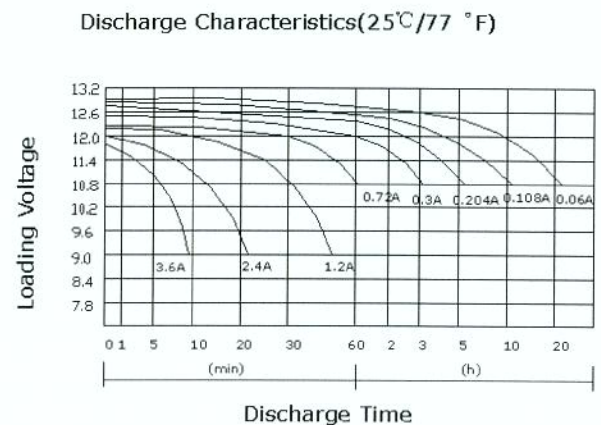


### ELECTRICAL SPECIFICATION

#### Characteristics

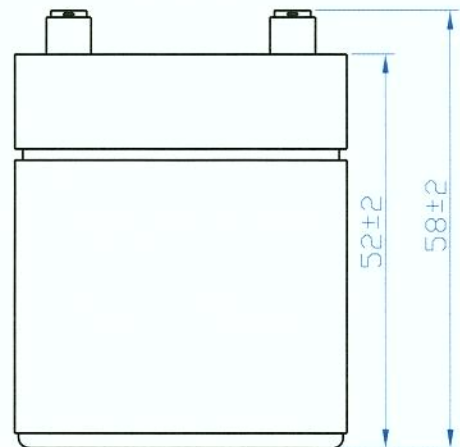
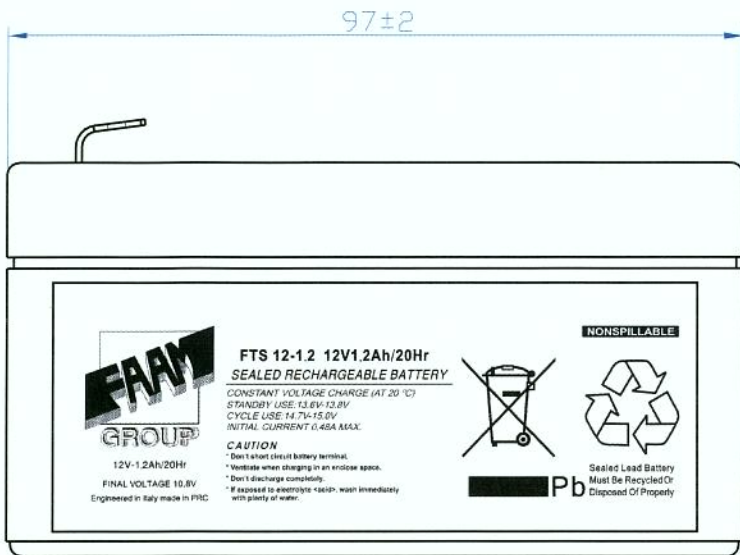
Capacity	20 hour rate	1,20Ah
	10 hour rate	1,00Ah
	5 hour rate	0,95Ah
	3 hour rate	0,87Ah
	1 hour rate	0,81Ah
Capacity affected by temperature	40°C	102%
	20°C	100%
	0°C	85%
Internal Resistance 95 mΩ±10%		
Constant Voltage Charge	Cycle	Initial Charging Current less than 0,48A Voltage 14,70~15,00V at 20°C Temperature Coefficient -30 mV/°C
	Standby	No limit on Initial Charging Current Voltage 13,60~13,80V at 20°C Temperature Coefficient -20 mV/°C

#### Discharge curves @ 25°C (77 °F)



#### Constant Current(Amp) and Constant Power (Watt/Cell) Discharge Table at 25°C

Time		5min	15min	30min	60min	90min	120min	180min	300min	480min	600min
9,90V	A	3,98	2,08	1,27	0,76	0,41	0,37	0,30	0,20	0,01	0,11
	W	6,57	3,43	2,09	1,25	0,68	0,51	0,40	0,33	0,21	0,18
10,2V	A	3,77	1,96	1,18	0,72	0,40	0,35	0,29	0,20	0,01	0,11
	W	6,23	3,23	1,95	1,19	0,66	0,49	0,39	0,32	0,20	0,18
10,8V	A	3,35	1,68	1,05	0,65	0,37	0,34	0,28	0,19	0,01	0,10
	W	5,52	2,77	1,73	1,07	0,61	0,47	0,37	0,31	0,20	0,17



date of production:  
mmyL

site of production

year of production

month of production

colour of box and lid: green  
colour of silkscreen: white

Box and lid FV0 on request  
Terminal type: FASTON F1

REV.	DATA/DATE	PROGETTISTA/DESIGNER	DISEGNATO/DRAWN	APPROVATO/APPROVED	DESCRIZIONE MODIFICHE/DESCRIPTION REVISIONS
INDICAZIONI GENERALI/GENERAL INDICATION:			MATERIALE/MATERIAL:	R (I/nm2):	DUREZZA/HARDNESS:
GRADO DI PRECISIONE/DEGREE OF ACCURACY			ABS Pb/Ca		PROGETTISTA/DESIGNER:
NORMA UNI 6307/STANDARD UNI 6307			PROGETTO GENERALE-COMPLESSIVO/GENERAL PLAN-TOTAL PLAN:		DISEGNATO/DRAWN:
SOSTITUISCE IL/SUPERSEDES:			NOME FILE/NAME FILE:		APPROVATO/APPROVED:
SOSTITUITO DAL/SUPERSEDS BY:			4 00271.dwg		F. PAGLIARINI
SCALA/SCALE:		FOGLIO/SHEET:	CODICE/COE:	TIPO/TYPE:	VERSIONE/VERSION:
1:1		A4	FTS 12-1.2	Series VRLA AGM	CARICA/CHARGE
DENOMINAZIONE/PART DESCRIPTION:					DATA/DATE:
BATTERIA STAZIONARIA COD. FTS 12-1.2 12V 1.2Ah/20h /					08.02.2010
STATIONARY BATTERY CODE FTS 12-1.2 12V 1.2Ah/20h					DISEGNO N°-REV./
					DRAWING N°-REV.:
					4 00271-0
					TAV.:
					1



**FAAM S.p.A.** Via Monti,11 63026 Monterubbiano (AP) ITALY  
Tel. ++39/07342581 Fax. ++39/0734258229 www.faam.com

Questo disegno è di proprietà della FAAM e non può essere riprodotto o reso noto senza autorizzazione scritta.  
This drawing is a proprietary and shall not be reproduced or released to otherwise authorized by FAAM.



12V-1,2Ah/20Hr

FINAL VOLTAGE 10,8V

Engineered in Italy made in PRC

**FTS 12-1,2 12V1,2Ah/20Hr**  
**SEALED RECHARGEABLE BATTERY**

*CONSTANT VOLTAGE CHARGE (AT 20 °C)*  
*STANDBY USE:13.6V-13.8V*  
*CYCLE USE:14.7V-15.0V*  
*INITIAL CURRENT 0,48A MAX.*

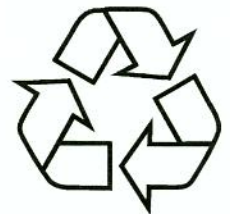
**CAUTION**

- \* Don't short circuit battery terminal.
- \* Ventilate when charging in an enclose space.
- \* Don't discharge completely.
- \* If exposed to electrolyte <acid>, wash immediately with plenty of water.



**Pb**

**NONSPILLABLE**



Sealed Lead Battery  
Must Be Recycled Or  
Disposed Of Properly