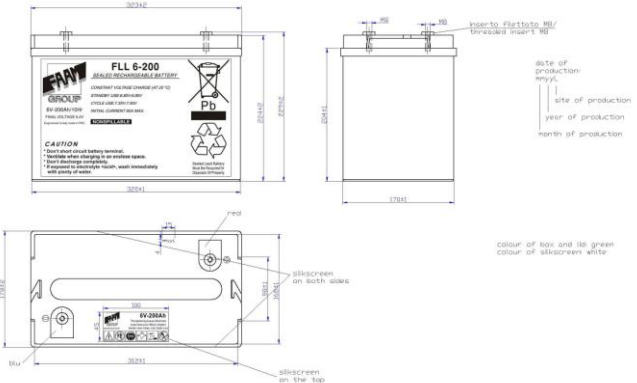
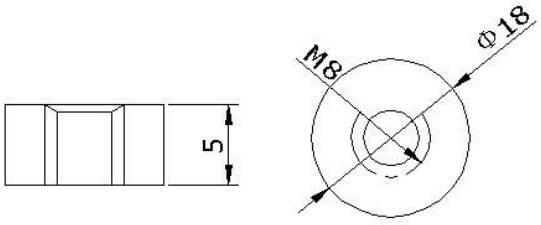
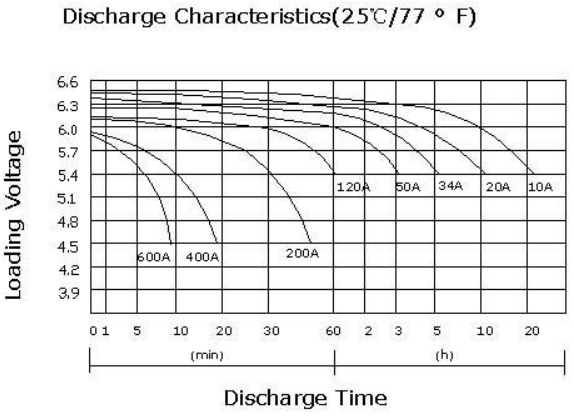
	<h1>FLL 6-200</h1>
--	--------------------

PHYSICAL SPECIFICATION

Nominal Voltage		6V	
Nominal Capacity (10Hr)		200Ah	
Dimension	Length	323 ±2mm	
	Width	178 ±2mm	
	Container Height	224 ±2mm	
	Total Height	229 ±2mm	
Drawing 400278-0		Weight 30,5 Kg ± 5%	
Standard Terminal		Bolt Type: M8	
		<p>Bolt-and-nut terminal Bolt Type:M8</p>  <p style="text-align: right;">(in mm)</p>	

ELECTRICAL SPECIFICATION

Characteristics			Discharge curves @ 25°C (77 °F)
Capacity	10 hour rate	200,00Ah	
	8 hour rate	192,24Ah	
	5 hour rate	172,90Ah	
	3 hour rate	153,99Ah	
	1 hour rate	122,77 Ah	
Capacity affected by temperature	40°C	102%	
	20°C	100%	
	0°C	85%	
Internal Resistance 4,4 mΩ ±10%		SCC 4100 A ±10%	
Constant Voltage Charge	Cycle	Initial Charging Current less than 60 A Voltage 7,35~7,50V at 20°C Temperature Coefficient -30 mV/°C	
	Stand by	No limit on Initial Charging Current Voltage 6,80~6,90V at 20°C Temperature Coefficient -20 mV/°C	

Constant Current(Amp) and Constant Power (Watt/Cell) Discharge Table at 25°C

Time		5min	15min	30min	60min	90min	120min	180min	300min	480min	600min
4.95V	A	752,50	406,00	223,51	122,14	100,71	85,12	51,44	35,28	24,32	21,00
	W	1104,24	616,16	395,15	260,40	190,09	147,70	107,40	74,93	50,66	41,80
5.1V	A	745,50	401,80	216,84	122,05	82,69	69,89	51,33	35,14	24,23	20,69
	W	1027,20	603,87	377,63	247,20	180,46	147,00	106,89	73,84	49,92	41,32
5.4V	A	700,00	350,00	206,00	119,20	80,76	68,26	50,76	34,58	23,84	20,00
	W	856,00	534,40	357,60	240,00	175,20	140,00	101,80	71,00	48,00	40,00