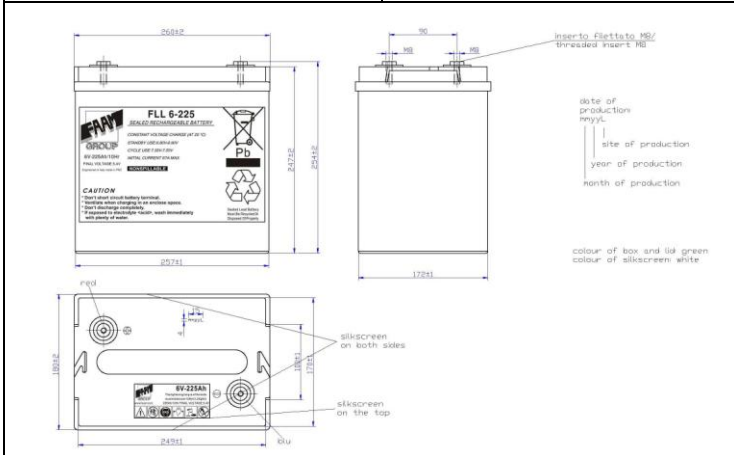




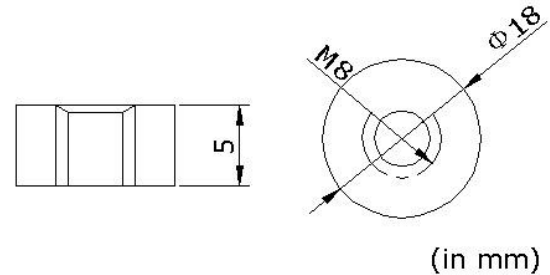
FLL 6-225

PHYSICAL SPECIFICATION

Nominal Voltage	6V	
Nominal Capacity (10Hr)	225Ah	
Dimension	Length	260 ±2mm
	Width	180 ±2mm
	Container Height	247 ±2mm
	Total Height	254 ±2mm
Drawing 400280-0	Weight 31,0 Kg ± 5%	
Standard Terminal	Bolt Type: M8	



Bolt-and-nut terminal
Bolt Type:M8



ELECTRICAL SPECIFICATION

Characteristics			Discharge curves @ 25°C (77 °F)	
Capacity	10 hour rate	225,00Ah	<p>Discharge Characteristics(25°C/77 ° F)</p> <p>The graph shows Loading Voltage (V) on the y-axis (3.9 to 6.6) and Discharge Time on the x-axis (0.1 to 20 hours). The x-axis is split into minutes (0.1, 5, 10, 20, 30, 60) and hours (2, 3, 5, 10, 20). The graph shows discharge curves for various current rates: 675A, 450A, 225A, 135A, 56, 25A3B, 25A, 22.5A, 11.25A.</p>	
	8 hour rate	216,24Ah		
	5 hour rate	194,50Ah		
	3 hour rate	173,22Ah		
	1 hour rate	138,11Ah		
Capacity affected by temperature	40°C	102%		
	20°C	100%		
	0°C	85%		
Internal Resistance 4,1 mΩ ±10%		SCC 4300 A ±10%		
Constant Voltage Charge	Cycle	Initial Charging Current less than 67 A		
		Voltage 7,35~7,50V at 20°C		
Constant Voltage Charge	Stand by	Temperature Coefficient -30 mV/°C		
		No limit on Initial Charging Current		
		Voltage 6,80~6,90V at 20°C		
		Temperature Coefficient -20 mV/°C		

Constant Current(Amp) and Constant Power (Watt/Cell) Discharge Table at 25°C

Time		5min	15min	30min	60min	90min	120min	180min	300min	480min	600min
4.95V	A	846,56	456,75	251,45	137,41	113,30	95,76	57,87	39,69	27,36	23,63
	W	1242,27	693,18	444,54	292,95	213,85	166,16	120,82	84,30	56,99	47,03
5.1V	A	838,69	452,03	243,94	137,30	93,03	78,63	57,74	39,53	27,25	23,28
	W	1155,60	679,36	424,83	278,10	203,01	165,38	120,25	83,07	56,16	46,49
5.4V	A	787,50	393,75	231,75	134,10	90,86	76,79	57,11	38,90	26,82	22,50
	W	963,00	601,20	402,30	270,00	197,10	157,50	114,53	79,88	54,00	45,00