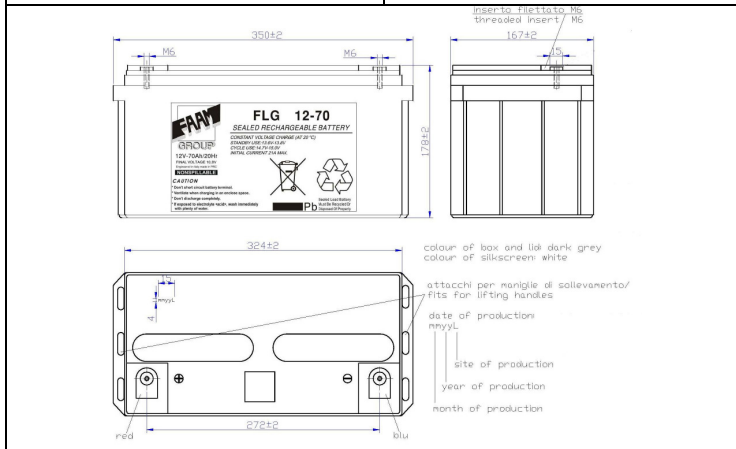




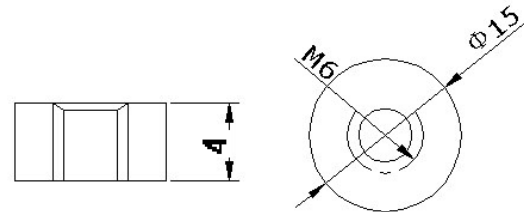
FLG 12-70

PHYSICAL SPECIFICATION

Nominal Voltage		12V
Nominal Capacity (20Hr)		70Ah
Dimensions	Length	350 ±1mm
	Width	167 ±1mm
	Box Height	178 ±1mm
	Total Height	178 ±1mm
Drawing 400329-0		Weight 22,3 Kg ± 5%
Standard Terminal		Bolt Type: M6



Bolt-and-nut terminal
Bolt Type:M6



(in mm)

ELECTRICAL SPECIFICATION

Characteristics			Discharge curves @ 25°C (77 °F)
Capacity	20 hours rate (Vfin 1,8pc at 20°C)	70,00Ah	
	10 hours rate (Vfin 1,8pc at 20°C)	65,00Ah	
	5 hours rate (Vfin 1,7pc at 20°C)	57,10Ah	
	3 hours rate (Vfin 1,7pc at 20°C)	50,04Ah	
	1 hour rate (Vfin 1,6pc at 20°C)	42,16Ah	
Capacity affected by temperature	40°C	102%	
	20°C	100%	
	0°C	85%	
Internal Resistance 6,5 mΩ ±10%		SCC 1720 A ±10%	
Constant Voltage Charge	Cycle	Initial Charging Current less than 17 A Voltage 14,4~15,0V at 20°C Temperature Coefficient -30 mV/°C	
	Stand by	No limit on Initial Charging Current Voltage 13,5~13,8V at 20°C Temperature Coefficient -20 mV/°C	

Constant Current(Amp) and Constant Power (Watt/Cell) Discharge Table at 20°C

Time		5min	15min	30min	60min	90min	120min	180min	300min	480min	600min
9.9V	A	98,36	69,76	48,82	41,31	32,73	27,66	16,72	11,47	7,91	6,83
	W	240,19	180,57	118,99	76,50	61,97	46,69	30,75	21,12	15,79	13,22
10.2V	A	89,38	69,04	47,37	33,92	26,87	22,71	16,68	11,42	7,87	6,72
	W	233,61	174,79	115,30	74,13	60,05	45,24	30,57	21,00	15,70	13,19
10.8V	A	71,79	60,14	45,00	33,12	26,25	22,18	16,50	11,24	7,75	6,50
	W	219,35	164,90	108,77	69,93	56,65	42,68	29,97	20,58	15,39	12,93