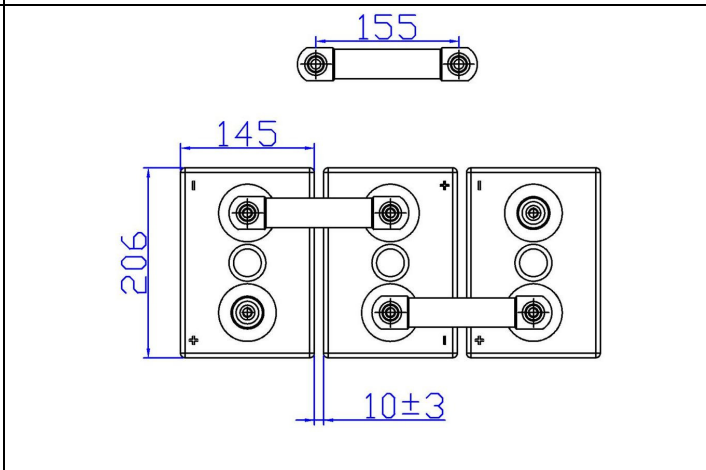
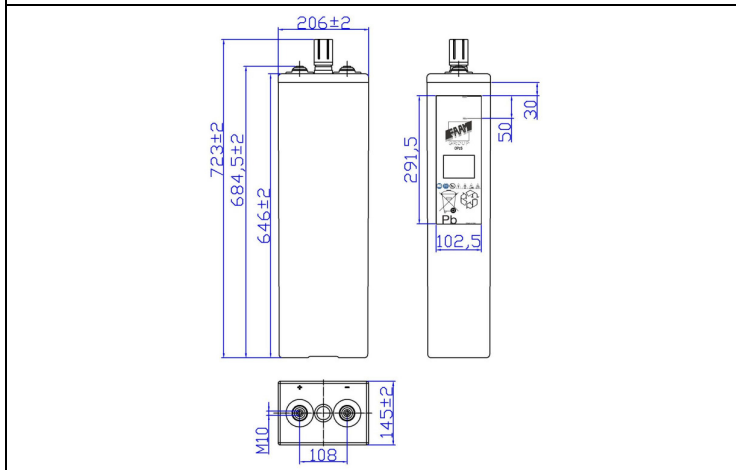




# 6STA100 – 6OPzS600

## DIMENSIONAL FEATURES

Nominal Voltage		2V		Stationary Cell flooded (OPzS) Box material: SAN transparent Lid material: ABS grey color Positive tubular and Negative flat plates Separators with low electric resistance Copper Connection (Cu) section: 3x30mm Standards: CEI EN 60896 Part 11 EN 50272-2
Nominal Capacity (10 hours)		600Ah (1,80Vfin) at 20°C		
Dimensions	Lenght	145 ±2mm		
	Width	206 ±2mm		
	Box Height	646 ±2mm		
	Total Height	723 ±2mm		
Technical Drawing n°4 00401-0		Weight 45,1 Kg ± 5%		
Screw Terminals: M10 female		Material: brass with protective treatment		



## ELECTRIC FEATURES

Characteristics			Charging curves @ 20°C (77 °F)	
Capacity	10 hours (1,80Vfin)	600,0 Ah		
	8 hours (1,75Vfin)	576,8 Ah		
	3 hours (1,70Vfin)	437,9 Ah		
	1 hour (1,65Vfin)	280,8 Ah		
Temperature influence on the capacity (10h)	40°C	102%		
	20°C	100%		
	0° C	85%		
Internal Resistance Ri: 0,41 mΩ ±10%		SCC Isc: 4500 A ±10%		
Charging Voltage	Standby use	Max charging current 120A Floating Voltage 2,23V at 20°C Boosting Voltage 2,40V at 20°C Temperature Coefficient -20 mV/°C		

## Discharge Table at constant Current (Amp) and constant Power (Watt/cell) at 20°C

Time		30min	60min	90min	2hours	3hours	5hours	8hours	10hours	100hours	120hours
1.65V	A	372,84	280,80	227,46	198,02	151,47	103,99	74,34	63,00	8,15	6,92
	W	873,54	578,34	443,23	374,40	280,96	195,76	139,83	113,40	14,72	12,48
1.70V	A	352,76	272,40	222,97	194,12	145,96	103,01	73,63	62,40	8,23	6,98
	W	832,91	558,90	427,68	361,70	273,04	194,84	139,17	112,71	14,66	12,44
1.80V	A	286,80	240,00	204,00	177,60	137,70	98,10	70,80	60,00	7,91	6,71
	W	677,16	486,00	388,80	334,29	255,42	184,68	131,54	108,00	14,25	12,09