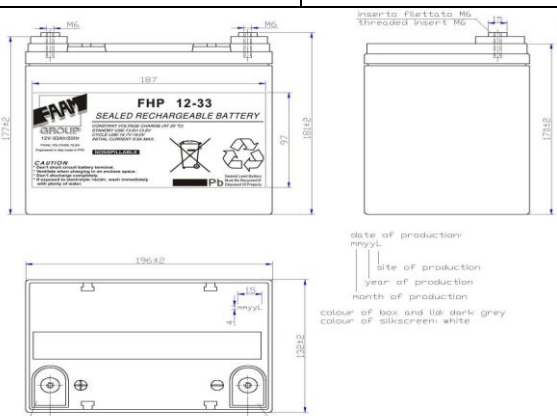
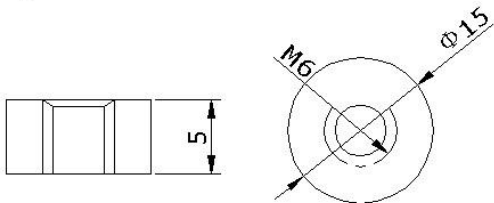
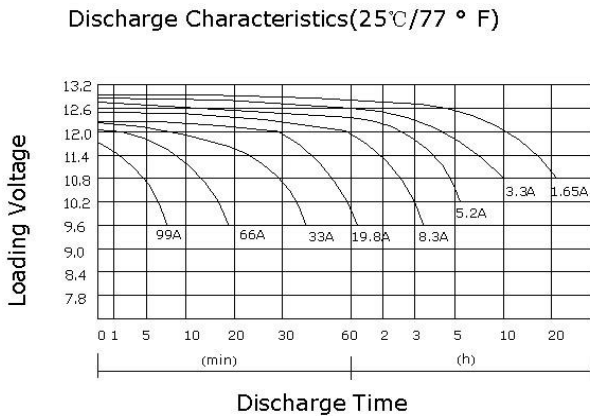
	<h1>FHP 12-33</h1>
--	--------------------

PHYSICAL SPECIFICATION

Nominal Voltage		12V
Nominal Capacity (20Hr)		33Ah
Dimension	Length	196 ±2mm
	Width	132 ±2mm
	Container Height	170 ±2mm
	Total Height	181 ±2mm
Drawing 400333-0		Weight 11,2 Kg ± 5%
Standard Terminal		Bolt Type: M6
		<p>Bolt-and-nut terminal Bolt Type:M6</p>  <p style="text-align: right;">(in mm)</p>

ELECTRICAL SPECIFICATION

Characteristics			Discharge curves @ 25°C (77 °F)
Capacity	20 hour rate	33,00Ah	 <p style="text-align: center;">Discharge Characteristics(25°C/77 ° F)</p>
	10 hour rate	27,00Ah	
	5 hour rate	24,70Ah	
	3 hour rate	23,10Ah	
	1 hour rate	21,85Ah	
Capacity affected by temperature	40°C	102%	
	20°C	100%	
	0°C	85%	
Internal Resistance 9 mΩ±10%		SCC 1100 A ±10%	
Constant Voltage Charge	Cycle	Initial Charging Current less than 8,2A Voltage 14,70~15,00V at 20°C Temperature Coefficient -30 mV/°C	
	Standby	No limit on Initial Charging Current Voltage 13,60~13,80V at 20°C Temperature Coefficient -20 mV/°C	

Constant Current(Amp) and Constant Power (Watt/Cell) Discharge Table at 25°C

Time		5min	10min	15min	20min	30min	45min	60min	90min	2hour	3hour
9.90V	A	115,42	75,87	57,22	40,29	33,74	25,33	20,29	11,17	10,64	7,99
	W	230,14	155,62	127,38	102,55	71,53	56,29	44,41	31,98	27,14	16,65
10.2V	A	107,53	70,14	53,85	38,26	32,60	24,06	19,42	10,78	10,26	7,70
	W	219,38	148,42	125,36	100,92	69,68	54,83	43,58	31,38	26,64	16,46
10.8V	A	98,65	63,76	48,08	33,86	28,35	21,29	17,34	9,80	9,50	7,26
	W	206,03	139,07	119,05	95,85	66,23	52,12	41,31	29,75	25,25	16,20