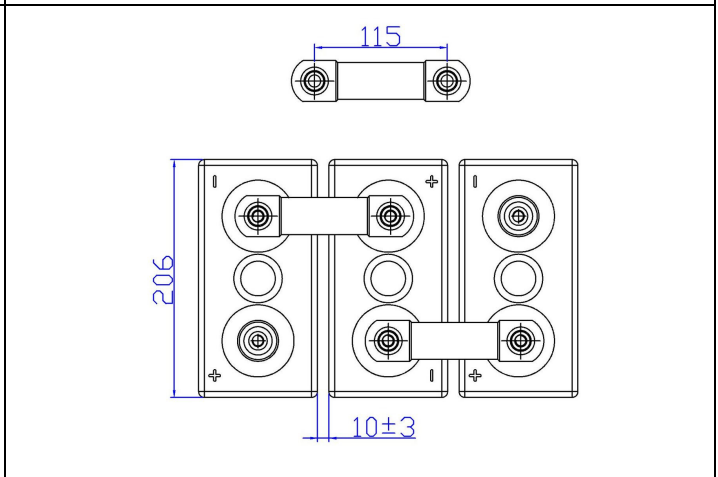
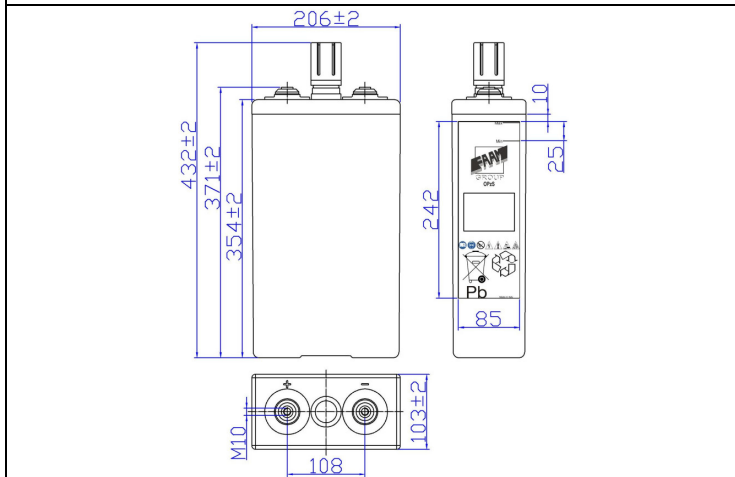




# 2STA55 – 2OPzS100

## DIMENSIONAL FEATURES

Nominal Voltage		2V		Stationary Cell flooded (OPzS) Box material: SAN transparent Lid material: ABS grey color Positive tubular and Negative flat plates Separators with low electric resistance Copper Connection (Cu) section: 3x30mm Standards: CEI EN 60896 Part 11 EN 50272-2
Nominal Capacity (10 ore)		100Ah (1,80Vfin) at 20°C		
Dimensions	Lenght	103 ±2mm		
	Width	206 ±2mm		
	Box Height	354 ±2mm		
	Total Height	432 ±2mm		
Technical Drawing n°4 00395-0		Weight 13,8 Kg ± 5%		
Screw Terminals: M10 female		Material: brass with protective treatment		



## ELECTRIC FEATURES

Characteristics			Charging curves @ 20°C (77 °F)	
Capacity	10 hours (1,80Vfin) 8 hours (1,75Vfin) 3 hours (1,70Vfin) 1 hour (1,65Vfin)	100,00 Ah 97,92 Ah 82,17 Ah 56,57 Ah		
Temperature influence on the capacity (10h)	40°C 20°C 0°C	102% 100% 85%		
Interanal Resistance Ri: 1,34 mΩ ±10%		SCC I <sub>sc</sub> : 1750 A ±10%		
Charging Voltage	Standby use	Max charging current 20A Floating Voltage 2,23V at 20°C Boosting Voltage 2,40V at 20°C Temperature Coefficient -20 mV/°C		

## Discharge Table at constant Current (Amp) and constant Power (Watt/cell) at 20°C

Time		30min	60min	90min	2hours	3hours	5hours	8hours	10hours	100hours	120hours
1.65V	A	86,71	56,57	44,04	36,91	28,42	18,82	12,60	10,50	1,36	1,15
	W	160,15	106,03	81,26	68,64	51,51	35,89	25,64	20,79	2,70	2,29
1.70V	A	82,04	54,88	43,17	36,18	27,39	18,64	12,48	10,40	1,37	1,16
	W	152,70	102,47	78,41	66,31	50,06	35,72	25,52	20,66	2,69	2,28
1.80V	A	66,70	48,35	39,50	33,10	25,84	17,75	12,00	10,00	1,32	1,12
	W	124,15	89,10	71,28	61,29	46,83	33,86	24,12	19,80	2,61	2,22