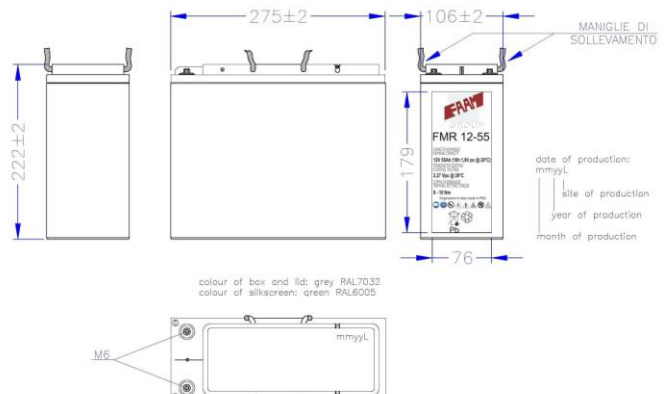
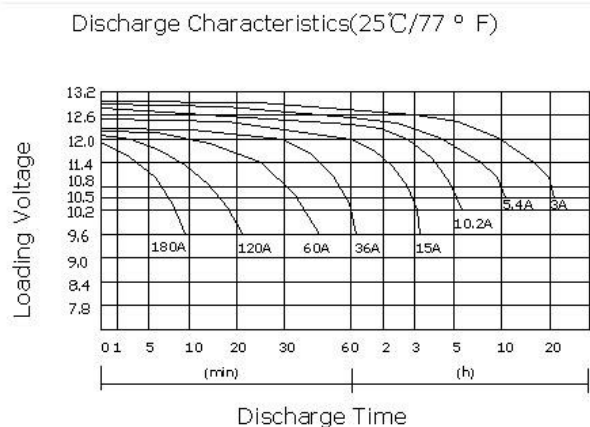
	<h1>FMR 12-55</h1>
--	--------------------

PHYSICAL SPECIFICATION

Nominal Voltage		12V
Nominal Capacity (10Hr)		55Ah
Dimension	Length	276 ±2mm
	Width	106 ±2mm
	Container Height	224 ±2mm
	Total Height	224 ±2mm
Drawing 400299-0		Weight 18,2 Kg ± 5%
Standard Terminal		Bolt Type: M6
		

ELECTRICAL SPECIFICATION

Characteristics			Discharge curves @ 25°C (77 °F)		
Capacity	10 hour rate	55,00Ah			
	8 hour rate	54,00Ah			
	5 hour rate	49,80Ah			
	3 hour rate	45,06Ah			
	1 hour rate	34,15Ah			
Capacity affected by temperature	40°C	102%			
	20°C	100%			
	0°C	85%			
Internal Resistance 6 mΩ ±10%		SCC 1250 A ±10%			
Constant Voltage Charge	Cycle	Initial Charging Current less than 15 A Voltage 14,40~15,00V at 20°C Temperature Coefficient -30 mV/°C			
	Stand by	No limit on Initial Charging Current Voltage 13,50~13,80V at 20°C Temperature Coefficient -20 mV/°C			

Constant Current(Amp) and Constant Power (Watt/Cell) Discharge Table at 20°C

Time		5min	15min	30min	60min	90min	120min	180min	300min	480min	600min
9,9V	A	169,13	94,62	57,86	34,02	23,36	19,56	15,21	10,47	6,95	5,69
	W	281,37	159,55	99,85	60,95	42,50	35,26	27,45	19,26	12,73	10,72
10,2V	A	158,13	91,08	56,62	33,73	23,16	19,45	15,02	10,35	6,92	5,61
	W	273,12	156,51	99,65	60,69	42,32	34,95	27,39	19,01	12,61	10,34
10,8V	A	137,50	82,28	53,57	32,34	22,21	18,70	14,74	9,96	6,70	5,50
	W	238,45	147,05	96,94	59,64	41,59	34,81	27,09	18,48	12,51	10,27