

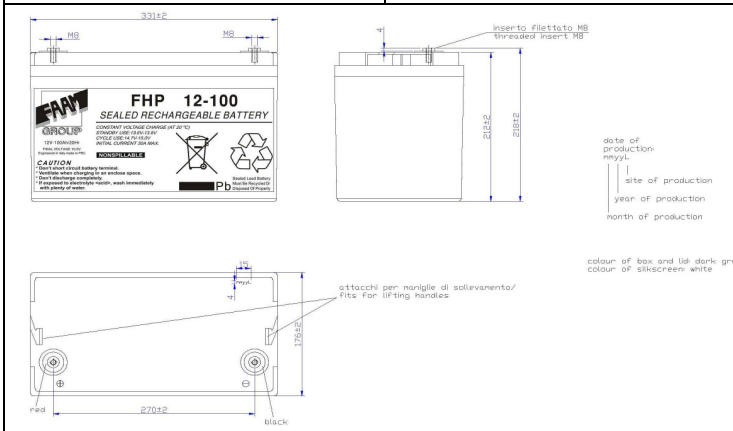


FHP 12-100

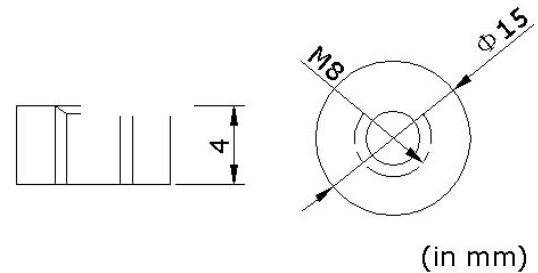
PHYSICAL SPECIFICATION

Nominal Voltage		12V
Nominal Capacity (20Hr)		100Ah
Dimensions	Length	331 ±2mm
	Width	176 ±2mm
	Box Height	214 ±2mm
	Total Height	218 ±2mm
Technical Drawing n°400282-0		Weight 32,5 Kg ± 5%
Standard Terminal		Bolt Type: M8

Stationary block sealed VRLA
 Box Material: ABS dark grey color FV0 (UL94 V-0)
 Lid Material: ABS dark grey color FV0 (UL94 V-0)
 Positive and negative flat plates with casted grids Pb/Ca/Sn
 Technology AGM VRLA
 Standards: CEI EN 60896 Parts 21 and 22
 Temperature exercise: -20°C +50°C
 Design Life : 12years (at 20°C)



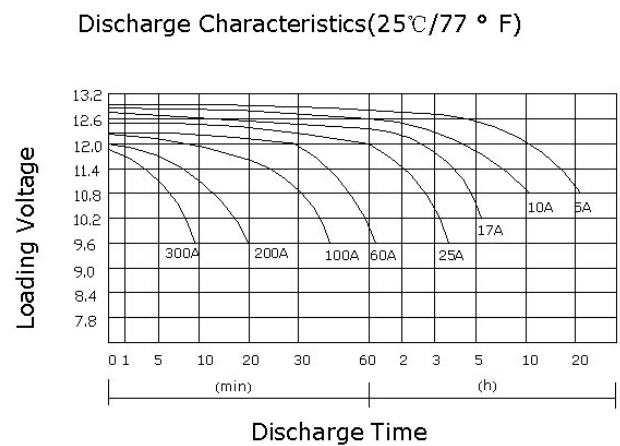
Bolt-and-nut terminal
 Bolt Type: M8



ELECTRICAL SPECIFICATION

Characteristics		
Capacity	20 hours rate (Vfin 1,8pc at 20°C)	100,00Ah
	10 hours rate (Vfin 1,8pc at 20°C)	92,00Ah
	5 hours rate (Vfin 1,7pc at 20°C)	77,80Ah
	3 hours rate (Vfin 1,7pc at 20°C)	72,72Ah
	1 hour rate (Vfin 1,6pc at 20°C)	68,79Ah
Capacity affected by temperature	40°C	102%
	20°C	100%
	0°C	85%
Internal Resistance 4 mΩ±10%		SCC 2650 A ±10%
Constant Voltage Charge	Cycle	Initial Charging Current less than 30 A Voltage 14,70~15,00V at 20°C Temperature Coefficient -30 mV/°C
	Standby	No limit on Initial Charging Current Voltage 13,60~13,80V at 20°C Temperature Coefficient -20 mV/°C

Discharge curves @ 25°C (77 °F)



Constant Current(Amp) and Constant Power (Watt/Cell) Discharge Table at 25°C

Time		5min	10min	15min	20min	30min	45min	60min	90min	2hour	3hour
9.90V	A	363,37	238,87	180,13	126,84	106,21	79,76	63,88	35,17	33,51	25,15
	W	691,42	467,74	390,55	310,30	214,92	170,32	133,30	96,75	82,13	52,84
10.2V	A	338,52	220,80	169,53	120,45	102,64	75,74	61,15	33,94	32,31	24,24
	W	659,11	446,09	384,35	305,37	209,35	165,90	130,82	94,95	80,60	52,22
10.8V	A	310,57	200,73	151,37	106,59	89,25	67,02	54,60	30,86	29,92	22,87
	W	619,00	418,00	365,00	290,00	199,00	157,70	124,00	90,00	76,40	51,40